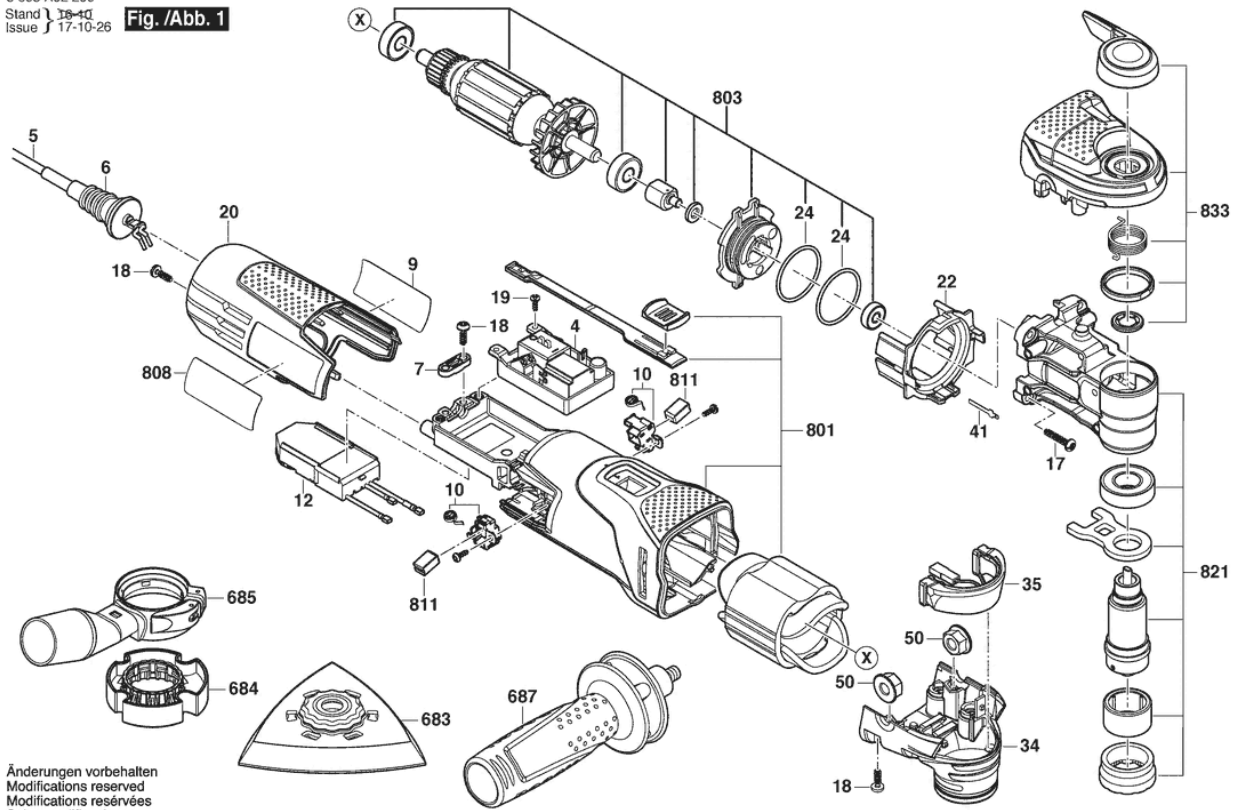


Illustration - Type - E

3 603 A02 200
 Stand 1 19-11
 Issue J 17-10-26

Fig./Abb. 1



Änderungen vorbehalten
 Modifications reserved
 Modifications réservées
 Salvo modificaciones

Spare parts list

Item	Part Number	Description	Illustration
4	1 600 A00 7S7	Electronic Module	1
5	2 604 460 258	Power supply cord	1
6	2 609 005 829	Grommet	1
7	2 609 005 869	Cable Clip	1
9	1 601 11C 0KN	Manufacturer's nameplate PMF 350 CES	1
10	2 604 337 120	Brush Holder	1
12	1 607 233 5CH	Speed governor	1
17	2 603 490 023	Torx Oval-Head Screw 4X20	1
18	2 603 490 021	Torx Oval-Head Screw 4X12	1
19	2 603 490 016	Torx Oval-Head Screw 3X8	1
20	1 600 A00 7S1	End cap	1
22	1 600 591 05R	Air-Deflector Ring	1
24	1 600 210 06S	O-Ring	1
34	1 600 A00 830	Foot Cover	1
35	1 600 A00 7S8	Light Unit	1
41	1 600 A00 DL6	Contact Spring	1
50	2 609 001 307	Hex Nut	1
683	1 600 A00 8LT	Sander Plate	1
684	1 600 A00 87V	Depth gauge	1
685	1 600 A00 87K	Dust Extraction	1
687	1 602 025 07V	Handle	1
801	1 607 000 C5L	Housing Assembly	1
803	1 607 000 C4Z	Armature assembly	1
808	1 601 11A 37A	Nameplate	1
811	1 607 000 C9J	Carbon-Brush Set	1
821	1 607 000 C50	Gear Unit	1
833	1 607 000 C51	Cover unit	1